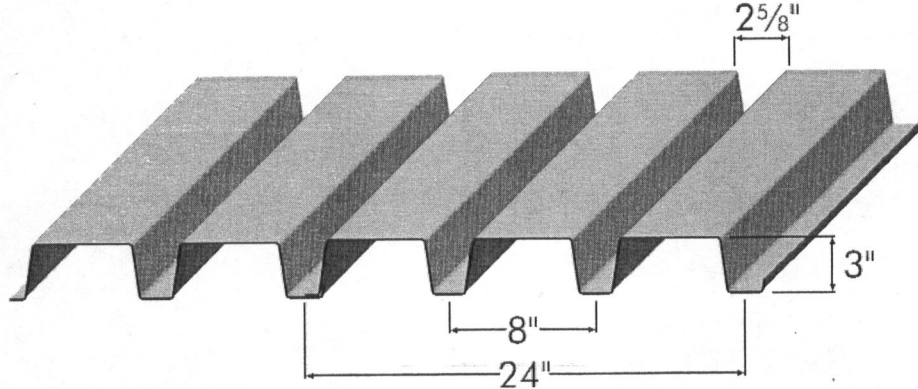


N DECK

3" high x 8" pitch x 24" wide

SECTION PROPERTIES $f_y = 33 \text{ ksi}$

GAGE	t (in)	Wd (psf)	I _p (in ⁴)	I _n (in ⁴)	S _p (in ³)	S _n (in ³)	Rbe (lb/ft)		Rbi (lb/ft)		Vn (lb/ft)	
							LRFD	ASD	LRFD	ASD	LRFD	ASD
22	0.0295	2.1	0.639	0.874	0.380	0.437	429	309	1328	958	3429	2262
20	0.0358	2.5	0.826	1.050	0.500	0.558	607	438	1945	1403	5050	3331
18	0.0474	3.3	1.205	1.408	0.707	0.770	1123	810	3278	2364	7206	4995
16	0.0598	4.2	1.640	1.777	0.919	0.972	2098	1513	4980	3592	9091	6302



MAXIMUM ALLOWABLE UNIFORM TOTAL LOADS, (psf) **

GAGE	SINGLE SPAN								DOUBLE SPAN								TRIPLE SPAN							
	22		20		18		16		22		20		18		16		22		20		18		16	
	LRFD	ASD	LRFD	ASD	LRFD	ASD	LRFD	ASD	LRFD	ASD	LRFD	ASD	LRFD	ASD	LRFD	ASD	LRFD	ASD	LRFD	ASD	LRFD	ASD	LRFD	ASD
7'-0"	123	88	168	125	241	191	324	248	152	109	222	148	322	204	400	258	153	110	217	156	399	253	400	319
7'-6"	109	82	139	117	198	166	265	216	142	100	204	129	281	178	355	225	143	103	202	146	349	221	400	279
8'-0"	92	77	116	103	165	146	220	190	133	88	179	113	248	157	313	198	134	97	190	137	301	195	388	246
8'-6"	78	69	98	91	139	129	185	168	124	79	159	101	220	139	277	176	126	91	176	125	253	173	340	218
9'-0"	68	62	84	82	119	115	158	150	111	70	142	90	196	124	248	157	118	86	150	112	214	155	288	195
9'-6"	59	56	73	73	102	102	136	134	100	63	128	81	176	112	223	141	102	78	129	100	184	139	247	175
10'-0"	52	50	64	64	89	89	118	118	90	57	115	73	159	101	201	127	89	71	112	91	159	126	213	158
10'-6"	46	46	57	57	78	78	103	103	82	52	105	66	145	92	183	115	78	64	98	82	139	114	185	144
11'-0"	42	41	51	51	69	69	91	91	75	47	96	60	132	83	166	105	69	59	87	75	122	104	162	131
11'-6"	38	38	46	46	62	62	81	81	68	43	88	55	121	76	152	96	62	54	77	69	108	95	143	120
12'-0"			41	41	56	56	72	72	63	40	80	51	111	70	140	89	56	49	69	63	96	87	127	110
12'-6"			38	38	51	51	65	65	58	37	74	47	102	65	129	82	50	46	62	58	86	81	114	102
13'-0"			35	35	46	46	59	59	54	34	69	43	95	60	119	76	46	42	57	54	78	75	102	94
13'-6"			32	32	42	42	54	54	50	31	63	40	87	56	111	70	42	39	52	50	71	69	92	87
14'-0"					39	39	49	49			58	37	79	52	103	65			47	47	64	64	84	81
14'-6"					36	36	45	45			53	35	72	48	95	61			44	44	59	59	77	76
15'-0"					33	33	42	42			49	33	66	45	87	57			40	40	54	54	70	70

MAXIMUM CONSTRUCTION SPANS (center-to-center of supports)

span	11'-5"	13'-0"	15'-8"	18'-3"	13'-5"	15'-3"	18'-6"	21'-7" *	13'-5" *	15'-3" *	18'-6" *	21'-7" *
cantilever	3'-9"	4'-5"	5'-6"	6'-4"	3'-9"	4'-5"	5'-6"	6'-4"	3'-9"	4'-5"	5'-6"	6'-4"
FM	-	-	-	-	-	-	-	-	-	-	-	-

span	design method	
	LRFD	ASD
7'-0"	123	88

maximum allowable uniform total (dead+live) load **
span (center-to-center of supports)

- t Design thickness of deck
- Wd Weight of deck (uncoated)
- As Average area of steel of deck per foot width
- I_p Moment of inertia of deck for positive bending
- I_n Moment of inertia of deck for negative bending
- S_p Section modulus of deck for positive bending
- S_n Section modulus of deck for negative bending
- Rbe Allowable exterior web crippling value per foot of deck (based on 2" of end bearing)
- Rbi Allowable interior web crippling value per foot of deck (based on 4" of interior bearing)
- Vn Allowable shear value per foot of deck
- span Maximum single or multiple span during construction
- cantilever Maximum cantilever during construction
- FM Maximum allowable span per Factory Mutual - NA
- f_y 33 ksi (for determining maximum loads)
- f_{span} 26 ksi (for determining maximum spans)
- ** An assumed 10 psf dead load is added to deflection
- * Maximum length produced is 40'-0"

The section property table is based on AISI's Cold Formed Steel Design Manual, 1996 Edition.

The loads and maximum construction spans are based on the Design Manual for Composite Decks, Form Decks, Roof Decks and Cellular Deck Floor Systems with Electrical Distribution, Pub No. 29. Available as acoustical, see page 37 for additional information.